

AIM-35

Preliminary

8" Industrial Tablet for Retail Application Powered By Intel® Atom™ / Qualcomm® Snapdragon™ Processor



Features

- Intel® Atom™ processor
- Industrial-Grade 8" 1,920 x 1,200 LCD Panel with 400 nits brightness and MTBF up to 12,000 hours
- Equipped Gorilla® Glass 3, Anti-Glare, Anti-Fingerprint, Direct Bonded Touch Panel against scratch
- Supports glove mode and stylus with palm detection to expand usability
- IP65 water and dust protection/ 4ft drop compliant
- Comprehensive communication technologies including 3G/4G, WLAN, BT, NFC, GPS and HDMI output
- Camera module supports auto focus with LED flash
- Supports Windows 10 IoT Enterprise & Android 6.0 OS
- AIM Extension 14-pin Pogo connector supports Extension Modules for 1D/2D Barcode scanner, MSR, IC Card readers
- AIM Dock 16-pin Pogo connector supports Cradle and Docking peripherals: VESA mount dock, charging station and printer cradle



Introduction

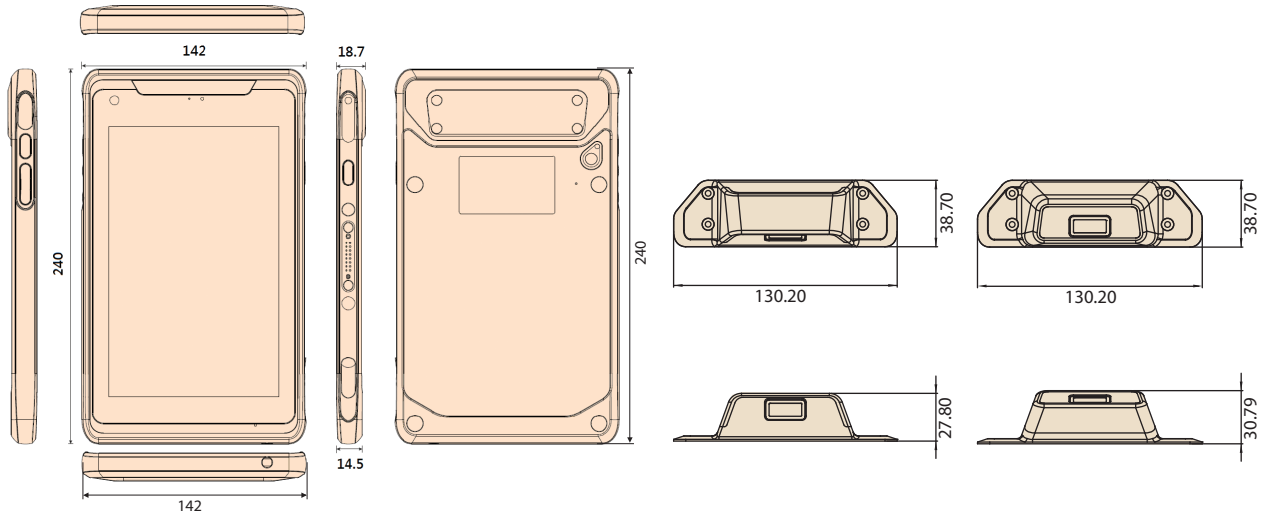
AIM-35 is an industrial-grade handheld tablet POS system for multiple applications with Intel® Atom™ and Qualcomm Snapdragon processor and multiple OS platform support for various software operation. To meet demands of retail and hospitality industry, AIM-35 provides 6-8 hours operation and support IP65-rated water and dust protection as robust tablet, but also enables various extension modules for the diversified application scenarios, such as 2D barcode scanner, to satisfy various retail and hospitality applications as well as inventory management or self-service operations that makes AIM-35 is ideal tablet POS system for the retail and hospitality market.

Specifications

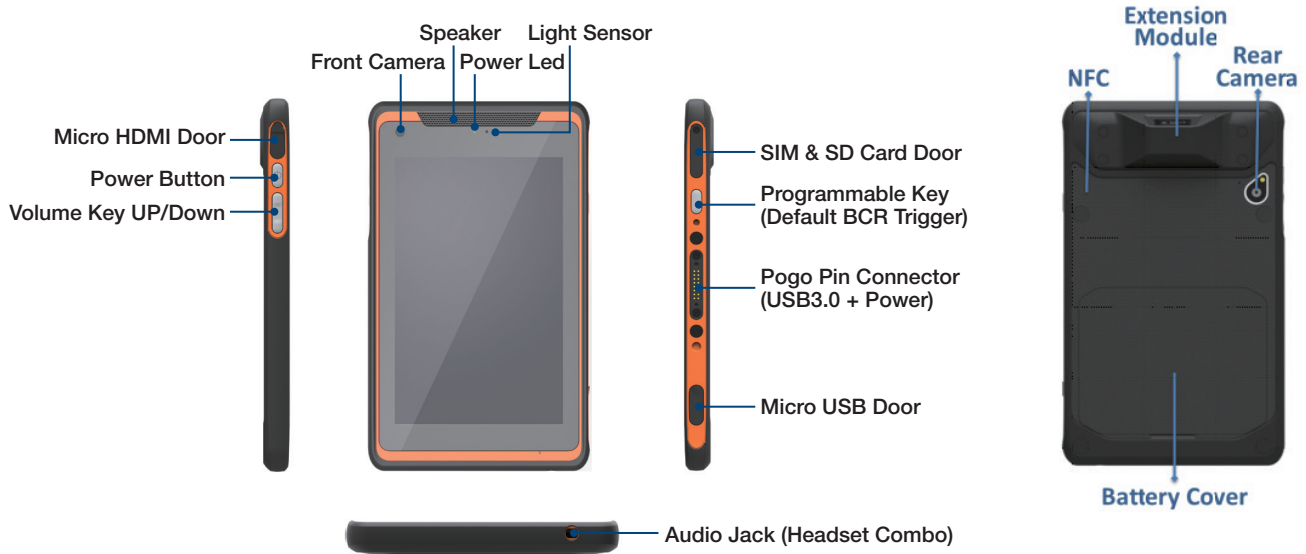
		AIM-35AT
Computing System	CPU	Intel CHT T3 Z8350
	Max. Speed	1.92GHz
	On-board Memory	2GB, DDR3L-RS 1600Mhz
	Operating System	Microsoft Windows 10 IoT Enterprise / Android 6.0
Storage	On-board eMMC	32GB/64GB (Default 32GB)
	Micro-SD	Micro-SD Card Slot for Storage Expansion up to 128GB
Display	Display Type	8" TFT IPS LCD Panel
	Max. Resolution	WUXGA, 1200x1920, 400 nits
	Touch Type	Projected Capacitive Multi-Touch
	Glass Type	G/G Direct Bonding, Corning GG3 Glass
Communication	WiFi	802.11b/g/n
	Bluetooth	Bluetooth v4.0 CLASS II
	NFC	Read/ Write Device Compatible With ISO15693, ISO14443A, ISO14443B, Mifare, Felica
	AGPS/ GNSS (Optional)	AGPS GNSS: GPS & GLONASS
	WWAN/ LTE (Optional)	M.2 Module EU & NA (w/o Voice Call) Micro-SIM Slot
Audio		x2 Build-In Digital MIC, x1 80dB 1Watt SPK 0.5M, x1 Audio combo jack
Connectivity	I/O Port Interfaces	x1 Micro USB 3.0 (OTG & Charging)
		x1 Micro HDMI: Display x1 AIM Dock 16-pin Pogo Connector: USB 3.0 + Power for Cradle and Docking Stations x1 AIM Extension 14-pin Pogo Connector: USB 2.0 + TX/RX + Power for Extension Modules
Camera	Front	2MP Fixed Focus
	Rear	5MP Auto Focus with LED Flash
Sensor		G-sensor + E-compass, Gyroscope, ALS
Hard Buttons	Function	x1 Power Button
		x2 Volume Control Button (One is Programmable) x1 Programmable Button (Default as BCR Trigger Key)
System Indicators		x1 Power / Battery Status
Power Input	Micro USB	DC 5V, Max 3A
	16-pin Pogo Connector	DC 9V, Max 2A
Battery	Capacity	Detachable Battery with Battery Meter Soft Pack (1S2P): 3.8V 5060mAh (19.22Watt)
	Operating Temp	0-40 °C (Charging) -10-50 °C (Discharging)
Environment	Temperature	Operating: -10°C ~ +50°C, Storage: -20°C ~ +70°C
	Operating & Storage Humidity	5% ~ 95% @ 40° C (non-condensing)
	Vibration	Operation: (5-500GHz) 1G, Non-operating: (5-500GHz) 0.04PSD
Ingress Protection	Dust/ Water Resistance	IP-65 compliant
Physical Characteristics	Dimensions (W x H x D)	142 x 239 x 14.5mm
	Weight	800g (Base Configuration)
	Color	Black & Orange
Certifications		CE/FCC/CCC ClassB
		UL 60950/CB/LVD/CCC/BSMI
		RF (R&TT,PTCRB/FCC ID)
		PTCRB/R&TTE Certification (Optional)
		ANSI / ISA 12.12.01-2015 (Optional)

Dimensions

Unit: mm



Front/Rear/Side I/O View



Ordering information

P/N	Description
AIM-35AT-00101000	8" Tablet, Intel CHT T3 Z8350, WIFI, BT, NFC, Windows 10IoT Enterprise 64 Bit
AIM-35AT-00103000	8" Tablet, Intel CHT T3 Z8350, WIFI, BT, NFC, 4G/3G NA Band, Windows 10 IoT Enterprise 64 Bit
AIM-35AT-00104000	8" Tablet, Intel CHT T3 Z8350, WIFI, BT, NFC, 4G/3G EU Band, Windows 10 IoT Enterprise 64 Bit

Peripheral Ordering Information

P/N	Description
AIM-EXT0-0040	20 degrees barcode scanner extension module, Honeywell
AIM-EXT0-0041	70 degrees barcode scanner extension module, Honeywell
AIM-EXT0-0046	RJ45 x1, COM x1
AIM-SRPO-0000	Hand strap with screw
AIM-SRPO-0001	Shoulder Strap with screw
AIM-SRPO-0011	Active Stylus
AIM-BAT-8	Battery pack with meter, 3.8V/ 4900mAh
TBU	AIM-35 multiple charging station. Provide 6 charging slots of tablet
TBU	Charging , USB x 2, COM (RJ48 type) x 2 , RJ11 x 1, 80mm Thermal Printer, Auto cutter
TBU	Charging , USB x 2, COM (RJ48 type) x 2 , RJ11 x 1